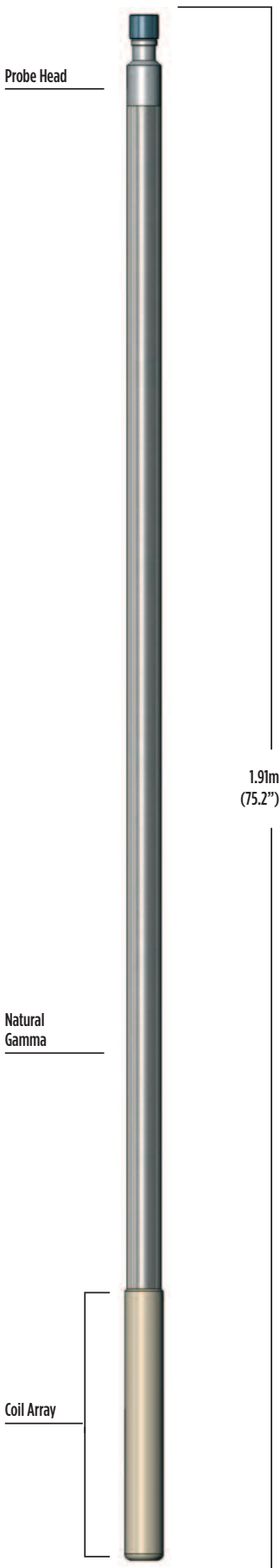


PROBES

MAGNETIC SUSCEPTIBILITY



The Magnetic Susceptibility probe is based on the industry-standard Bartington Instruments™ product.

It is a low-frequency device and is specifically designed for mining applications. The probe has excellent stability against pressure and temperature variations.

Principle of Measurement:

An oscillating magnetic field in the probe produces a current within a toroidal zone in the surrounding formation. The oscillating current produces a secondary field that is detected by the receiver coils. The 'in-phase' signal is a measure of susceptibility.

SPECIFICATION:

Features

- Operates in dry or water-filled boreholes
- Unaffected by plastic casing Ideal for use in small-diameter exploration boreholes
- Excellent thermal/pressure stability across specified operating range

Measurements

- Magnetic susceptibility
- Natural Gamma

Applications

The probe has particular use for detecting uranium where the log shows a negative correlation with uraniferous compounds. Susceptibility logs are highly sensitive to iron and show large contrasts according to its oxidation state. The frequent occurrence of iron with other redox-sensitive metals can provide a valuable indicator of the presence of other minerals.

Operating Conditions

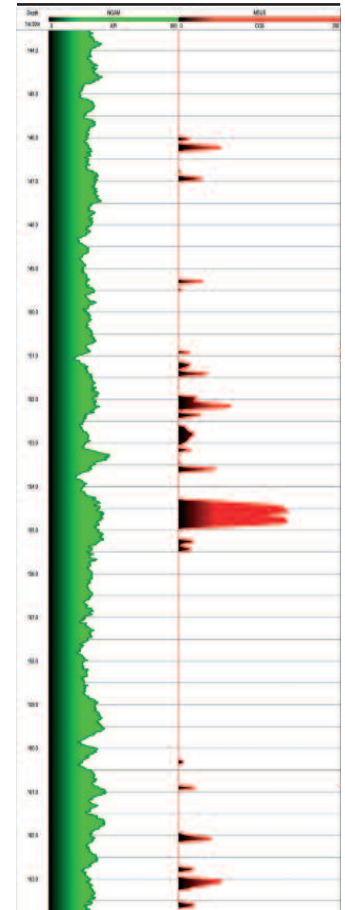
- Borehole type: open/cased (plastic), water/air-filled
- Centralisation: fin stand-off recommended
- Recommended Logging Speed: 3m/min

Specifications

- Diameter: 43mm
- Length: 1.91m
- Weight: 5.5kg
- Temperature: 0-70°C (extended ranges available)
- Max. pressure: 20MPa
- Operating frequency: 1.439kHz
- Range: 10⁻⁵ to 10⁻¹ cgs (Gaussian)

Part Numbers

- 1002095 Magnetic Susceptibility probe with natural gamma



Examples of logging data

Scan the QR code to go directly to www.robertson-geo.com

1/1